

Nissan e-NV200 XL Voltia

All electric van for cost-effective last-mile delivery.

10m³



CARGO SPACE
10m³

EUP
3 pcs

PAYLOAD
580 kg

CARGO WIDTH
1,5 m

CARGO LENGTH
2,5 m

CARGO HEIGHT
2,2 m



Category

Category	N1
GVW	2,2 t
Platform vehicle	Nissan e-NV200
Body type	Furgon



Dimensions

Length / width / height	5,03 m / 1,76 m / 2,70 m (10m ³)
-------------------------	--



Performance

Range	200 km
Payload	580 kg
Cargo space	10m ³
Max. speed	123 km/h
Acceleration (0 - 100 km/h)	14 seconds
Drivetrain emissions (CO ₂ / NOx / solid particles)	0 / 0 / 0



Drivetrain

Electric motor - type	3-phase synchronous
Electric motor - max. power / max. torque	80 kW / 254 Nm
Gearbox	Single speed gearbox with parking pawl



Battery & Charging

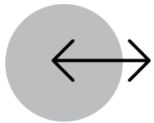
Battery	lithium ion
Capacity	40 kWh
On board charger power	6,6 kW
Connector types	Type 1 Yazaki (AC), CHAdeMO (DC)
Charging modes & times	Mode 2 (domestic socket): 16 A -> 15 h or 10 A -> 21,5 h Mode 3 (WallBox): 6,6 kW -> 7,5 h or 3,3 kW -> 15 h Mode 4 (DC fast charger): 0 - 80 % -> cca 50 min



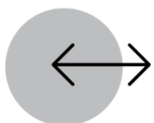
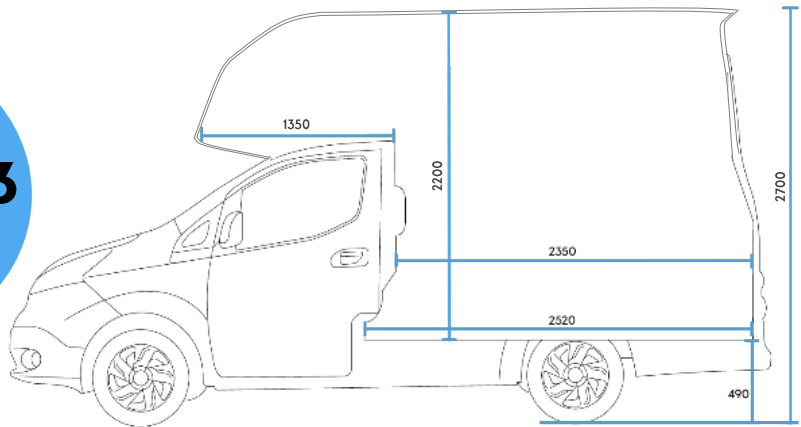
Equipment

Standard equipment	According to the platform vehicle, advanced LED cargo lighting, cargo space shelf (10 m ³)
Optional equipment	According to the platform vehicle, plus: rear camera, cargo space anti-slip wooden floor, cargo space high durability paneling, cloth seat covers, MODE2 charging cable with adjustable charging current 6 A - 16 A

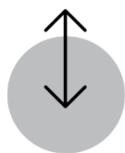
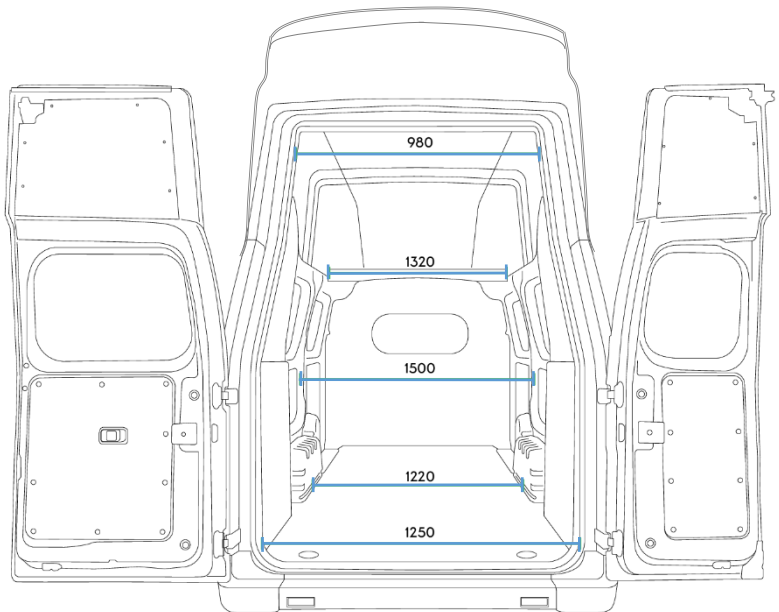
Cargo space measures of Voltia XL **10m³**



length



width



height

